

JL4

Jet Loader

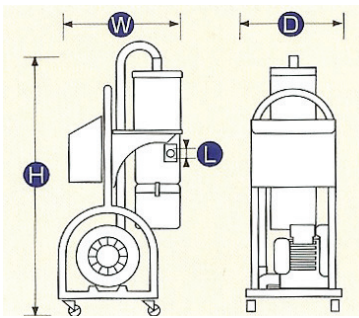


Vacuum Type Conveyor

Features

- **Space-saving design**
Make the best use of the maximum available space in crowded factories with limited space. Designed to be more compact, streamlined and highly efficient.
- **Counter that informs cleaning cycles**
Lamp informs you of the filter cleaning timing based on how many times the conveyor is set. This eliminates the need to worry about filter clogging.
(As options an alarm buzzer and warning lamp are available.)
- **Larger dust box**
Dust removal made easily. Just remove the cap only. This reduces the maintenance frequency and improves productivity even more.
- **Quiet operation**
By using a low-noise blower, unpleasant metallic and conveyor noises are reduced to a minimum. (Noise is less than 80db.)

Standard specifications



Model	Max. Stati Pressure (mm/Aq) 50/Hz.	Max. Air Flow rate (m3/min) 50/Hz.	Max. Air Output (kW) 50/Hz.	Conveying Hose	Suction Hose	Standard Jet Clone	Conveying Capacity Kg/Hr. (Approx.)	Breaker (Amp.) 50 Hz.		Outside dimensions W x D x H (mm)	Weight (Kg)
								380V/3P	200V/3P		
JL4-4VC	1734	2.4	0.9	Ø38 x 5 m	Ø38 x 5 m	JC-6	~170	10	16	1194x360x526	68
JL4-5VC	1836	2.4	1.1	Ø38 x 10 m	Ø38 x 5 m	JC-9	~300	10	16	1194x360x526	70
JL4-6VC	2244	3.5	2.2	Ø50 x 10 m	Ø65 x 5 m	JC-18	~740	10	20	1194x533x576	84
JL4-7VC	2754	5.1	4.0	Ø65 x 10 m	Ø65 x 5 m	JC-18	~840	16	40	1235x599x630	93

- Small suction hopper with sensor or level switch is also available in stead of Jet Clone (MSC-2.5, 10, 15, 20)

MVH

Mini Hopper

MVH-3/6/9/18



- This is a collection unit optimum for low volume conveying.
- Low stock volume prevents the material to reabsorb moisture and Also makes frequent material changes easy.
- Excellent checks of the stock material conditions can be made because of the sight glass.

